

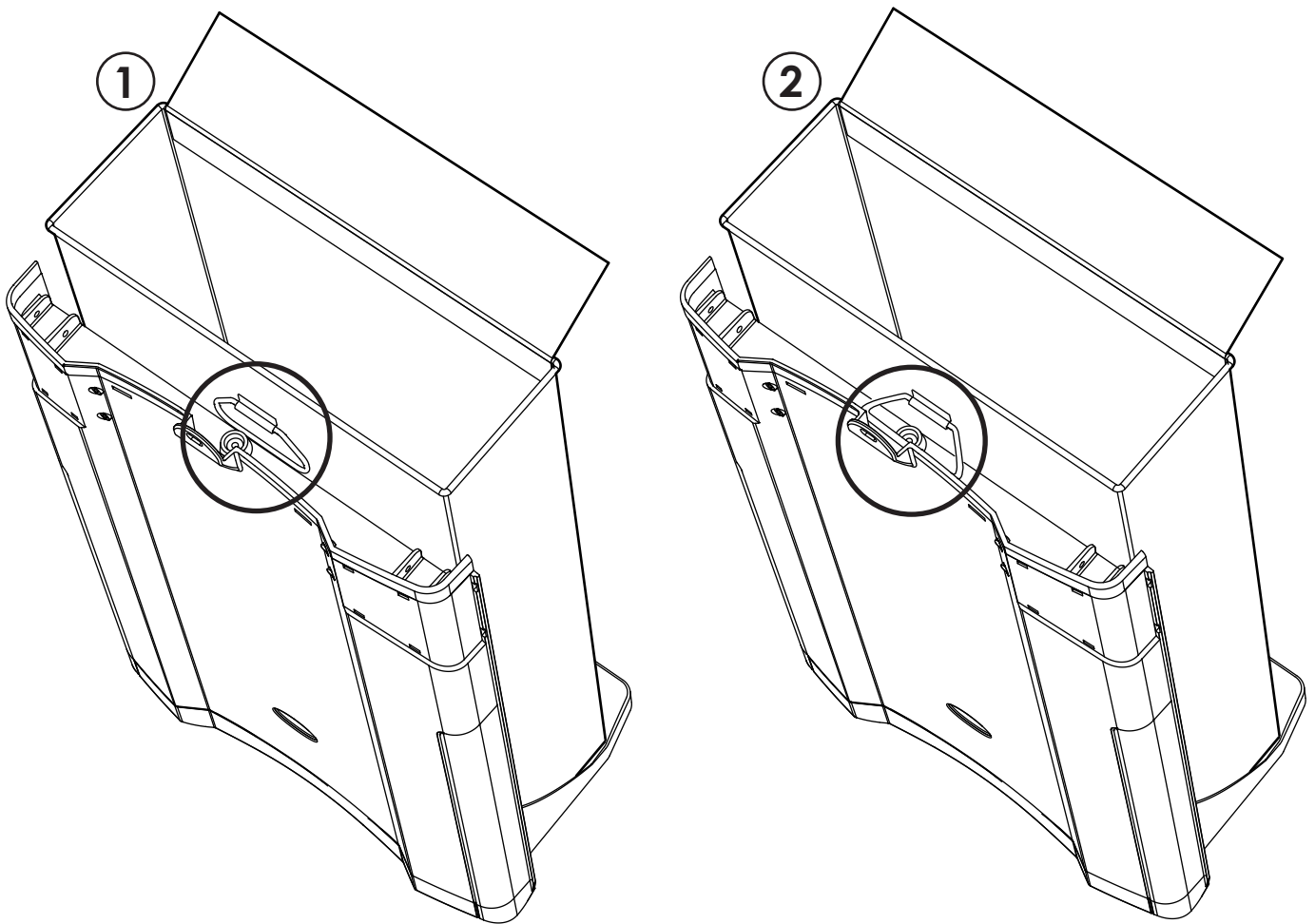
NEXUS™ 100

METAL LINER OPERATOR INSTRUCTION LEAFLET

IMPORTANT NOTE: ENSURE THAT ALL RELEVANT PERSONNEL READ THESE INSTRUCTIONS PRIOR TO USE

Securing Liner To Door

- 1) Remove door and sit metal liner on the door base so that the liner handle is closest to the door.
- 2) Place metal liner handle over the buffer located on the back of the door to secure in position.



Representaciones Martín Mena, S.L.

Av. Primero de Mayo, 53-17. Valencia 46017 España

Tel: +34 676815 731

Email: info@martinmena.es

Web: www.martinmena.es